

MBPC-5000 Desktop Chassis

Features

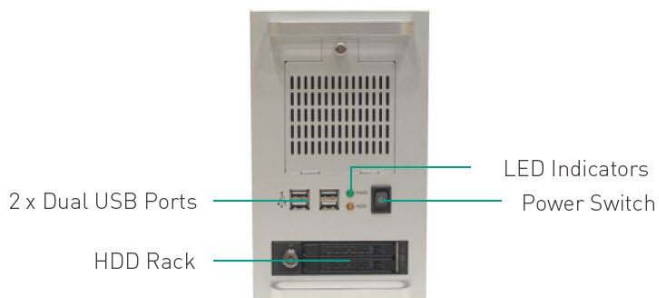


- Support 5-slot PICMG 1.3/1.0 full-size backplane
- Two front handles for easy carrying
- Mobile trays for one or two 2.5" HDDs
- Four front access USB 2.0 ports
- LED indicators for power status and HDD activity
- Thumb-screws for top cover easy opening
- Easy-to-replace air filters
- Equipped with FLEX 300W ATX/PFC power supply

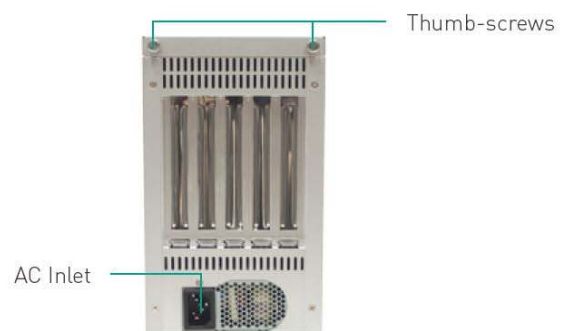
Specifications

Disk Drive Bay		Front-accessible	
	2.5"	1 or 2	
Cooling	Fan	1 (8 Cm / 25.87 CFM)	
	Air Filters	Yes	
Front I/O Interface	USB	4	
Miscellaneous	LED Indicators	Power, HDD	
	Control	Power switch	
	Rear Panel	—	
Environment		Operating	Non-Operating
	Temperature	0~40°C	-20°C~60°C
	Humidity	—	8~85%
	Vibration (10~200 Hz)	—	1.0 Grms
Physical Characteristics	Dimension (W x H x D)	132 x 220 x 433 mm	
	Weight	2.9 Kg	

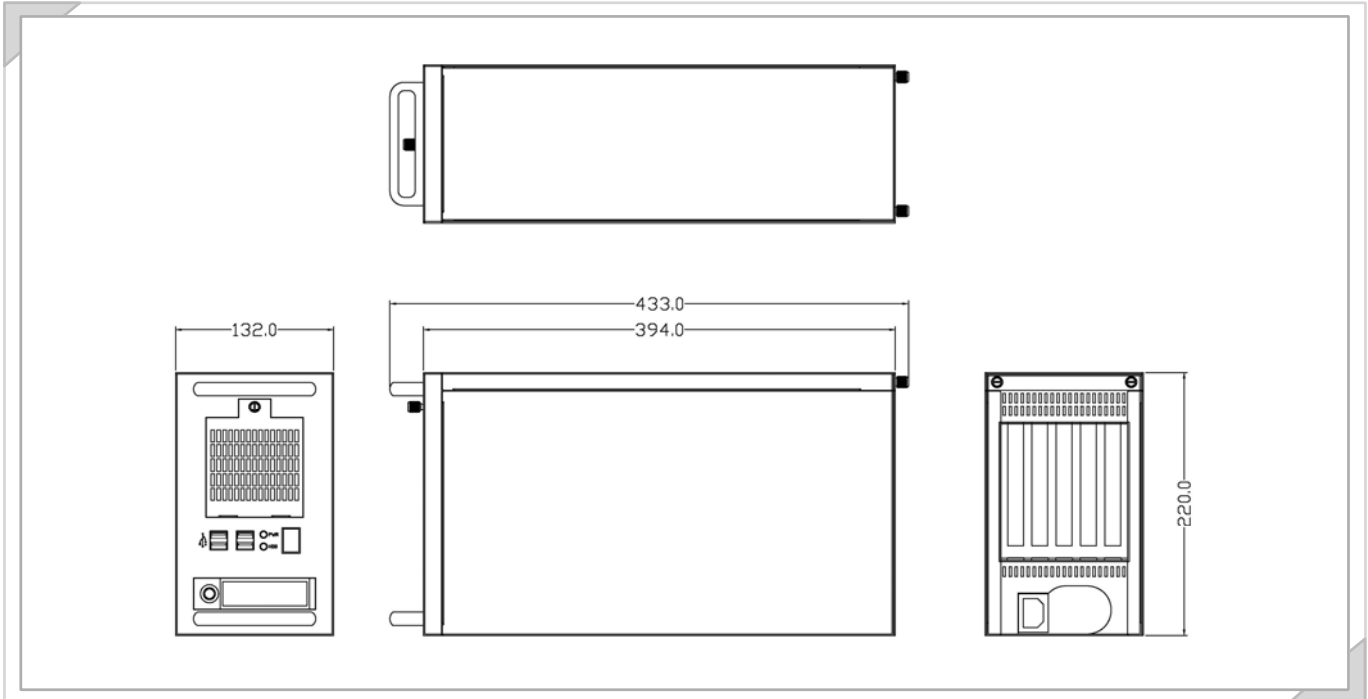
Front View



Rear View



Dimensions



Ordering Information

- **MBPC-5000** 5-Slot Desktop Chassis with 300W PSU

Accessories

- **IAT-PC-15M** Power Cord 1.5M

Backplane Options

Model	PICMG 1.3/1.0	PCIe	PCI-X	PCI	ISA	PCI/ISA
PCE-5B04-20A1E	PICMG 1.3	1 (PCIe x16)	2	—	—	—
PCE-5B05-02A1E	PICMG 1.3	1 (PCIe x16) 1 (PCIe x 4)	—	2	—	—
PCE-7B05-20A1E	PICMG 1.3	2 (PCIe x 8)	2	—	—	—
PCA-6105P3-5A1E	PICMG 1.0	—	—	2	1	1