

Features



- Compact chassis for Mini-ITX motherboard
- Drive bay for two 2.5" HDD
- One expansion slot (low profile)
- USB, COM and WLAN antenna punchouts on front panel
- LED indicators for power status and HDD activity
- Thumb-screws for top cover easy opening
- Easy-to-replace air filters
- Equipped with FLEX 300W ATX/PFC power supply

Specifications

Disk Drive Bay		Internal	
	2.5"	2	
Cooling	Fan	1 (6 Cm /23.17 CFM)	
	Air Filter	Yes	
Front I/O Interface	COM	6	
	USB	2 x USB 2.0	
	WLAN Antenna	2	
Expansion Slot	Low Profile	1	
Miscellaneous	LED Indicators	Power, HDD	
	Control	Power Switch	
Environment		Operating	Non-Operating
	Temperature	0~40°C	-20°C~60°C
	Humidity	—	8~85%
	Vibration (10~200 Hz)	—	1.0 Grms
Physical Characteristics	Dimension (W x H x D)	250 x 94 x 255 mm	
	Weight	3.2 Kg	

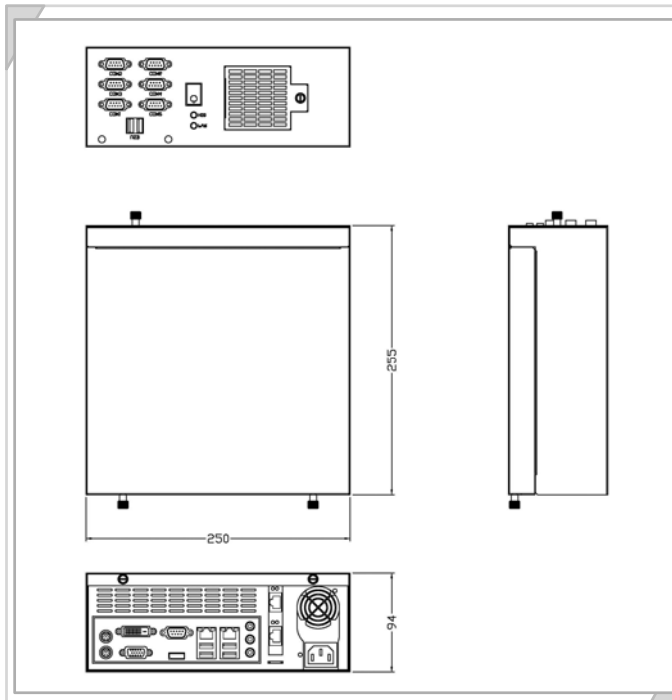
Front View



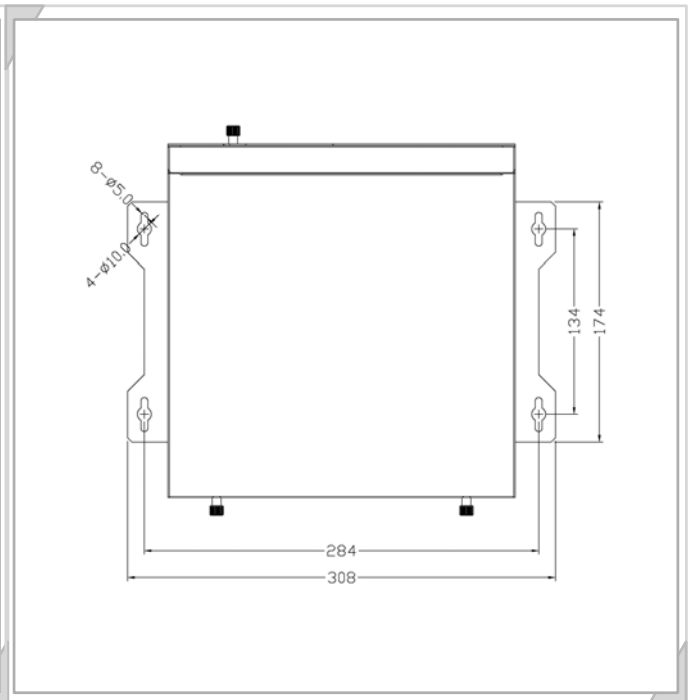
Rear View



Dimensions



Installation



Ordering Information

- MBPC-B200 Compact Desktop Chassis with 300W PSU

Accessories

- IAT-PC-15M Power Cord 1.5M