

## Features



- 12.1" XGA TFT LCD with resolution up to 1024x768
- Direct VGA & DVI-D video input interface
- LCD OSD control keys
- Flat-sealed front panel
- Robust design with anti-rust chassis and aluminum front panel
- RS-232 or USB interface for touchscreen function (optional)
- Supports panel, desktop, or VESA arm mounting

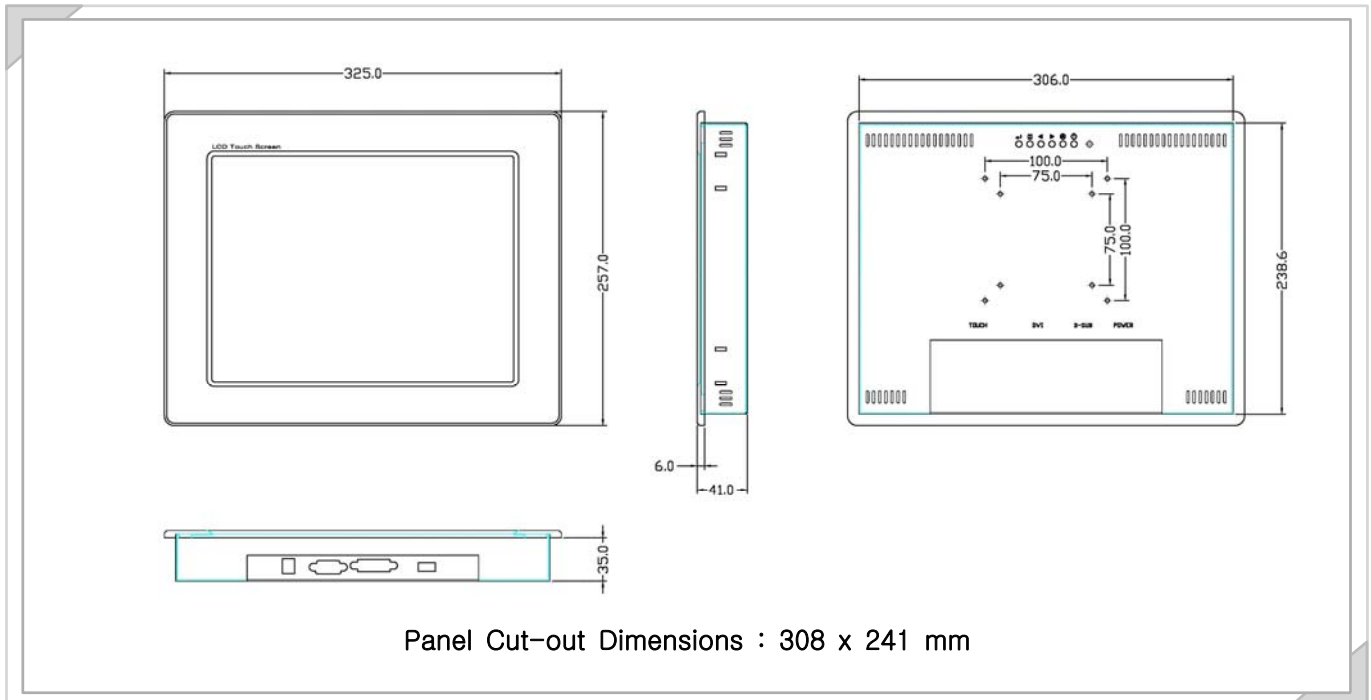
## Introduction

IAT-121T is a 12.1" color TFT LCD flat panel monitor specifically designed for industrial applications. With a viewing size as large as 12.1", it presents an ample display area as well as vivid and sharp images for your HMI. It features Direct-VGA & DVI-D signal transmission, which allows VGA control cards to be used in your system.

## Specifications

General		Touchscreen(Optional)	
● Button Controls	OSD control pad on rear side	● Type	5-wire Resistive
● Dimension (W x H x D)	325 x 257 x 41 mm	● Interface	RS232 or USB
● Enclosure	Front panel : Aluminum and flat-sealed Rear cover : Anti-rust coating	● Lifespan	30million with a silicon rubber of R8 finger, writing rate is by 250g at 2 times/s
● Mounting	Panel, desktop, or VESA arm mount	● Light Transmission	> 81%
● Power Input	Optional 40W power adaptor, with AC 100V~240V input and DC12V@3.3A output	● OS Support	Windows2000/XP/CE/Vista/7/Linux
● Power Consumption	16W ± 5%	● Power Consumption	+5V@200mA
● Video Port	VGA & DVI-D	● Touch Resolution	2048 x 2048, or more
● Weight (Net)	3.2Kg		
LCD Display		Environment	
● Display Type	XGA TFT LCD	● Operation Temperature	0~65℃
● Display Size	12.1"	● Storage Temperature	-20℃~65℃
● Max. Resolution	1024 x 768	● Humidity (Storage)	8~90% non condensing
● Max. Color	16.2M	● Vibration	10~200Hz, P-P, 1.5Grms 30 mins/axis (Non Operating)
● Luminance (cd/m <sup>2</sup> )	500@120mA		
● Backlight Life (hrs)	50,000		
● Contrast Ratio	700:1		

## Dimensions



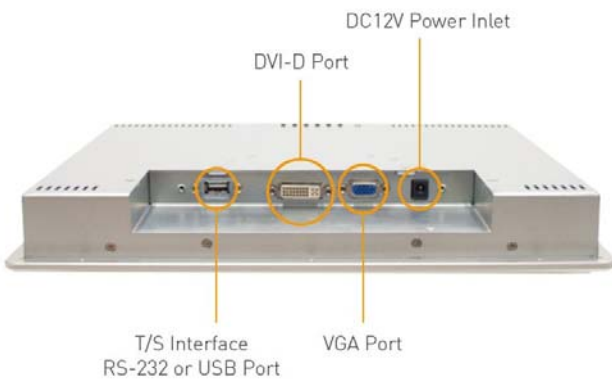
## Ordering Information

- IAT-121T-N 12.1" XGA Ind. Monitor
- IAT-121T-R 12.1" XGA Ind. Monitor with Resistive TS (RS-232)
- IAT-121T-U 12.1" XGA Ind. Monitor with Resistive TS (USB)

## Accessories

- IAT-PA-40W Adaptor AC100~240V DC12V 3.3A
- IAT-BK-PA Power Adaptor Bracket
- IAT-BK-PC Panel Mount Clamp
- IAT-TP-PM Touch Pen
- IAT-TC-18M RS232 or USB Cable 1.8M
- IAT-DC-18M DVI-D Cable 1.8M
- IAT-VC-18M VGA Cable 1.8M

## I/O View



## Back View

