

Features



- 12.1" XGA TFT LCD with optional resistive touchscreen
- Intel® Atom™, Celeron™, Core™ i-series processor
- System memory up to 8 GB DDR3/DDR3L SDRAM
- Supports one internal SATA 2.5" HDD and mSATA
- Supports one Mini-PCIe expansion, 2~4 serial ports
- Front USB access and supports four external USB 2.0 & 3.0 ports
- Dual Gigabit Ethernet
- Optional PCI x 1 expansion kit

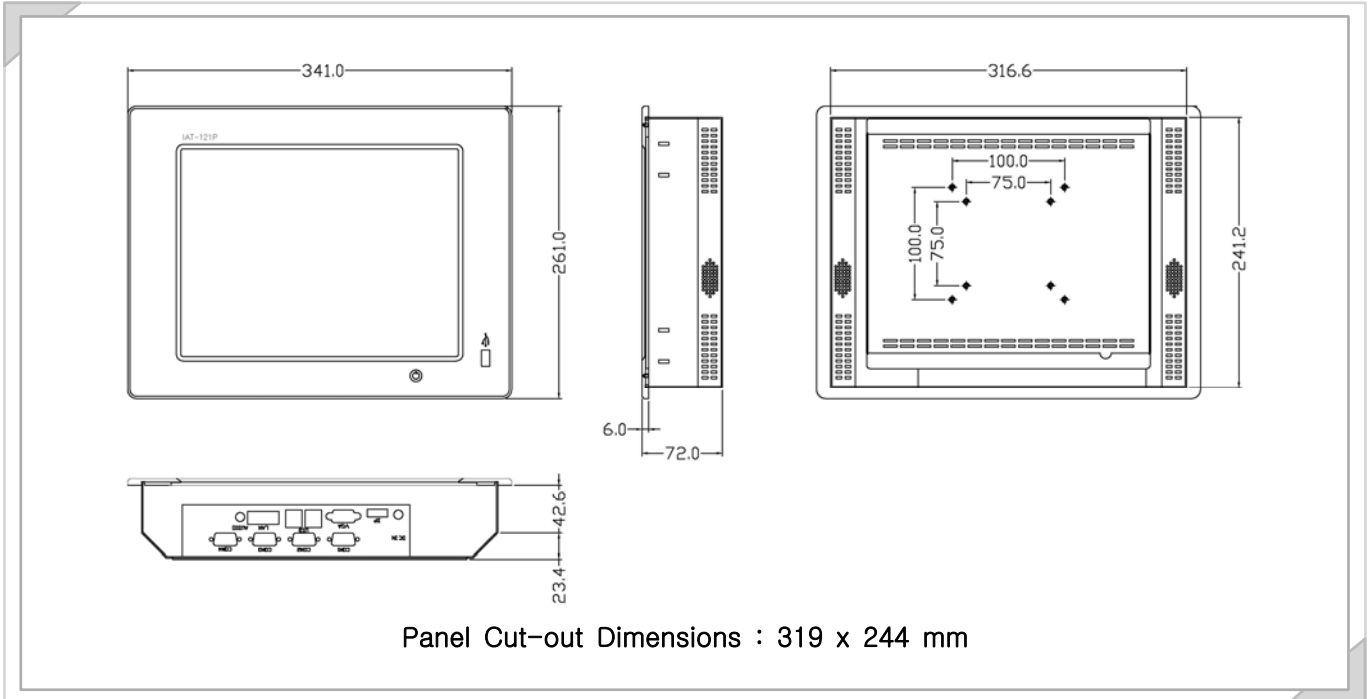
Introduction

The IAT-121P is an Industrial Panel PC with front USB access that delivers high performance while consuming low power. Robust aluminum front bezel makes this suitable for long-term solutions, and especially suitable for environments such as chemical processing plants. IAT-121P is durable and reliable platform.

Specifications

General	
● Bios	In Conformity with CPU
● Certifications	
● Enclosure	Aluminum front bezel with SGCC Housing
● Dimension (W x H x D)	341 x 261 x 72
● Mounting	Panel, desktop, or VESA arm mounting
● OS Support	WES 7 / WES 8
● Power Consumption	40W ± 5%
● Weight (Net)	3.8Kg
System Hardware	
● CPU	Intel® Atom™, Celeron™, Core™ i
● Chipset	In Conformity with CPU
● Memory	Up to 8 GB DDR3/DDR3L SODIMM
● Ethernet	Dual Gigabit Ethernet
● Storage	2 x 2.5" SATA HDD 1 x mSATA
● I/Os (According to the specifications)	2 x RS232 5 x USB 2.0 (one at front) 2 x PS2 (Keyboard, Mouse) 1 x VGA Port, 1 x HDMI Port Mic-in, Line-in, Line-out
● Expansion (Optional)	1 x half-length PCI Slot 1 x Mini PCIe (Full-size)
Touchscreen(Optional)	
● Type	5-wire Resistive
● Interface	USB
● Lifespan	30million with a silicon rubber of R8 finger, writing rate is by 250g at 2 times/s
● Light Transmission	> 81%
LCD Display	
● Display Type	XGA TFT LCD
● Display Size	12.1"
● Max. Resolution	1024 x 768
● Max. Color	262K
● Luminance (cd/m ²)	500@120mA
● Backlight Life (hrs)	50,000
● Contrast Ratio	700:1
Environment	
● Operation Temperature	0~50℃
● Storage Temperature	-20℃~60℃
● Humidity (Storage)	8~85% non condensing
● Vibration	10~200 Hz, P-P, 1.0 Grms 30 mins/axis (Non Operating)

Dimensions



Ordering Information

- IAT-104P-N 12.1" Panel PC
- IAT-104P-U 12.1" Panel PC with Resistive TS
- IAT-EXP-AB Rear add-on box
- IAT-EXP-RC PCI riser card

Accessories

- IAT-PA-60W Adaptor AC100~240V DC12V 5.0A
- IAT-BK-PC Panel Mount Clamp
- IAT-TP-PM Touch Pen
- IAT-BK-PA Power Adaptor Bracket

Fully-Integrated I/O View

● I/O ports vary according to the specifications

