

## Features



- 17" SXGA TFT LCD with optional resistive touchscreen
- Embedded Intel® Atom™, Celeron™, Core™ i3 / i7 processor
- One DDR3/DDR3L SO-DIMM support up to 8 GB
- Supports internal SATA 2.5" HDD & mSATA
- Supports Mini-PCIe expansion, 2 serial ports
- Front USB access and supports four external USB ports
- Dual Gigabit Ethernet
- Fanless cooling system, Compact design with Aluminium front bezel

## Introduction

The IAT-170FP is an Intel® Atom™, Celeron™, Core™ i3 / i7 processor based Panel PC with 17" color TFT LCD, and can be installed in virtually any application. Robust aluminum front bezel makes this suitable for long-term solutions, and especially suitable for environments such as chemical processing plants. IAT-170FP is durable and reliable platform.

## Specifications

### General

● Bios	AMI EFI 16/64 Mbit
● Certifications	
● Enclosure	Aluminum front bezel with SGCC Housing
● Dimension (W x H x D)	422 x 355 x 68
● Mounting	Panel, desktop, or VESA arm mounting
● OS Support	WES 7 / WES 8
● Power Requirements	AC to DC, 100W DC12V 8.5A
● Weight (Net)	7.0Kg

### System Hardware

● CPU	Intel® Atom™, Celeron™, Core i3 / i7
● Chipset	NM10 / QM77
● Memory	Up to 8 GB DDR3/DDR3L
● Ethernet	Dual Gigabit Ethernet
● Storage	1 x 2.5" SATA HDD 1 x mSATA
● I/Os	1 x RS232, 1 x RS232/422/485 5 x USB 2.0 & 3.0 (one at front) 1 x VGA Port, 1 x HDMI Port
● Expansion (Optional)	full / half-size PCIe Card (support mSATA)

### Touchscreen(Optional)

● Type	5-wire Resistive
● Interface	USB
● Lifespan	30million with a silicon rubber of R8 finger, writing rate is by 250g at 2 times/s
● Light Transmission	> 81%

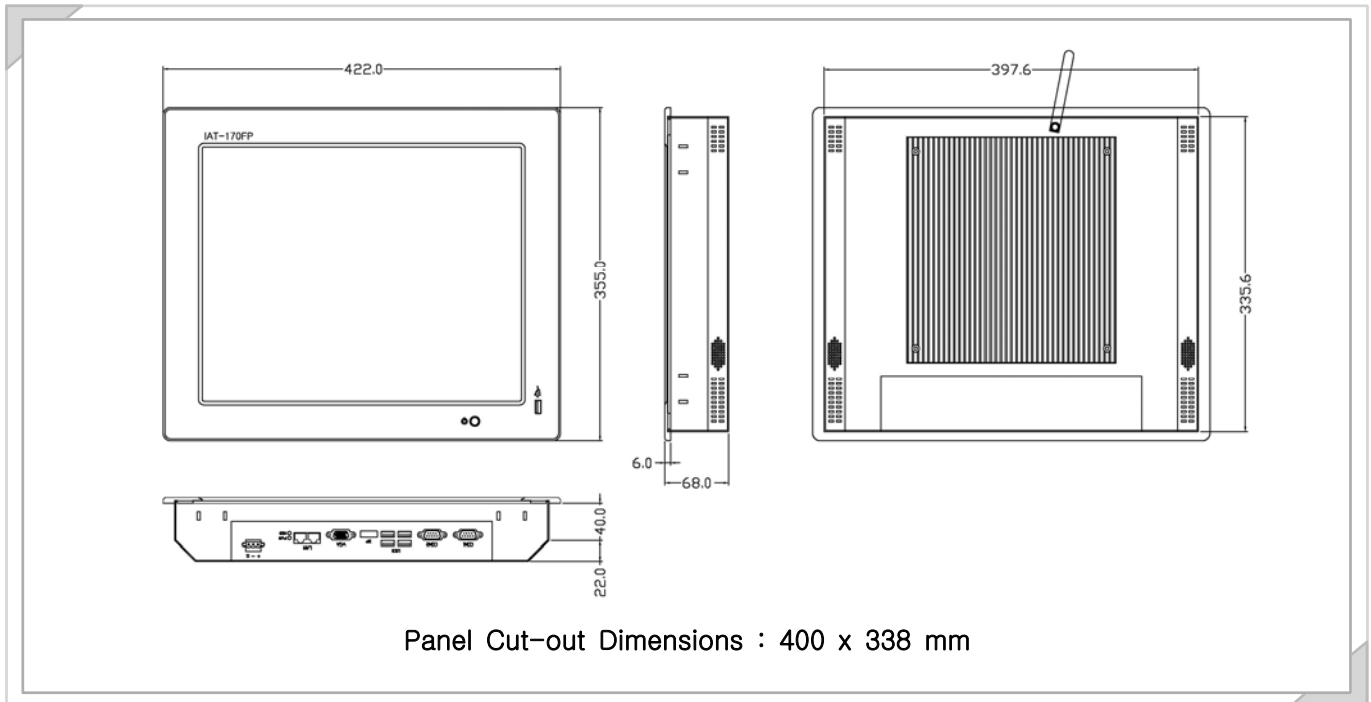
### LCD Display

● Display Type	SXGA TFT LCD
● Display Size	17"
● Max. Resolution	1280 x 1024
● Max. Color	16.7M
● Luminance (cd/m <sup>2</sup> )	250@60mA
● Backlight Life (hrs)	30,000
● Contrast Ratio	1000:1

### Environment

● Operation Temperature	0~50℃
● Storage Temperature	-20℃~60℃
● Humidity (Storage)	8~85% non condensing
● Vibration	10~200 Hz, P-P, 1.0 Grms 30 mins/axis (Non Operating)

## Dimensions



## Ordering Information

- IAT-170FP-N 17" Fanless Panel PC
- IAT-170FP-U 17" Fanless Panel PC with Resistive TS

## Accessories

- IAT-PA-100W Adaptor AC100~240V DC12V 8.3A
- IAT-BK-PC Panel Mount Clamp
- IAT-TP-PM Touch Pen
- IAT-BK-WK VESA Wallmount Kit
- IAT-BK-PA Power Adaptor Bracket

## Fully-Integrated I/O View

