

## Features



- 19" SXGA TFT LCD with optional resistive touchscreen
- Intel® Atom™, Celeron™, Core™ i-series processor
- Two DDR3/DDR3L sockets supports up to 16 GB
- Supports two internal SATA 2.5" HDD
- Supports one Mini-PCIe expansion, 2~4 serial ports
- Front USB access and supports four external USB 2.0 & 3.0 ports
- Dual Gigabit Ethernet
- Optional PCI x 1 and ODD expansion kit

## Introduction

The IAT-190P is an Intel® Atom™, Celeron™, Core™ i-series processor based Panel PC with 19" color TFT LCD, and can be installed in virtually any application. Robust aluminum front bezel makes this suitable for long-term solutions, and especially suitable for environments such as chemical processing plants. IAT-190P is durable and reliable platform.

## Specifications

### General

- **Bios** In Conformity with CPU
- **Certifications**
- **Enclosure** Aluminum front bezel with SGCC Housing
- **Dimension (W x H x D)** 460 x 386 x 83
- **Mounting** Panel, desktop, or VESA arm mounting
- **OS Support** WES 7 / WES 8
- **Power Requirements** AC100~240V 4A
- **Weight (Net)** 9.3Kg

### System Hardware

- **CPU** Intel® Atom™, Celeron™, Core™ i
- **Chipset** In Conformity with CPU
- **Memory** Up to 16 GB DDR3/DDR3L
- **Ethernet** Dual Gigabit Ethernet
- **Storage** 2 x 2.5" SATA HDD  
1 x mSATA
- **I/Os** 4 x RS232  
5 x USB 2.0 (one at front)  
2 x PS2 (Keyboard, Mouse)  
1 x VGA Port, 1 x HDMI Port  
Mic-in, Line-in, Line-out
- **Expansion (Optional)** 1 x half-length PCI Slot, ODD  
1 x Mini PCIe (Full-size)

### Touchscreen(Optional)

- **Type** 5-wire Resistive
- **Interface** USB
- **Lifespan** 30million with a silicon rubber of R8 finger, writing rate is by 250g at 2 times/s
- **Light Transmission** > 81%

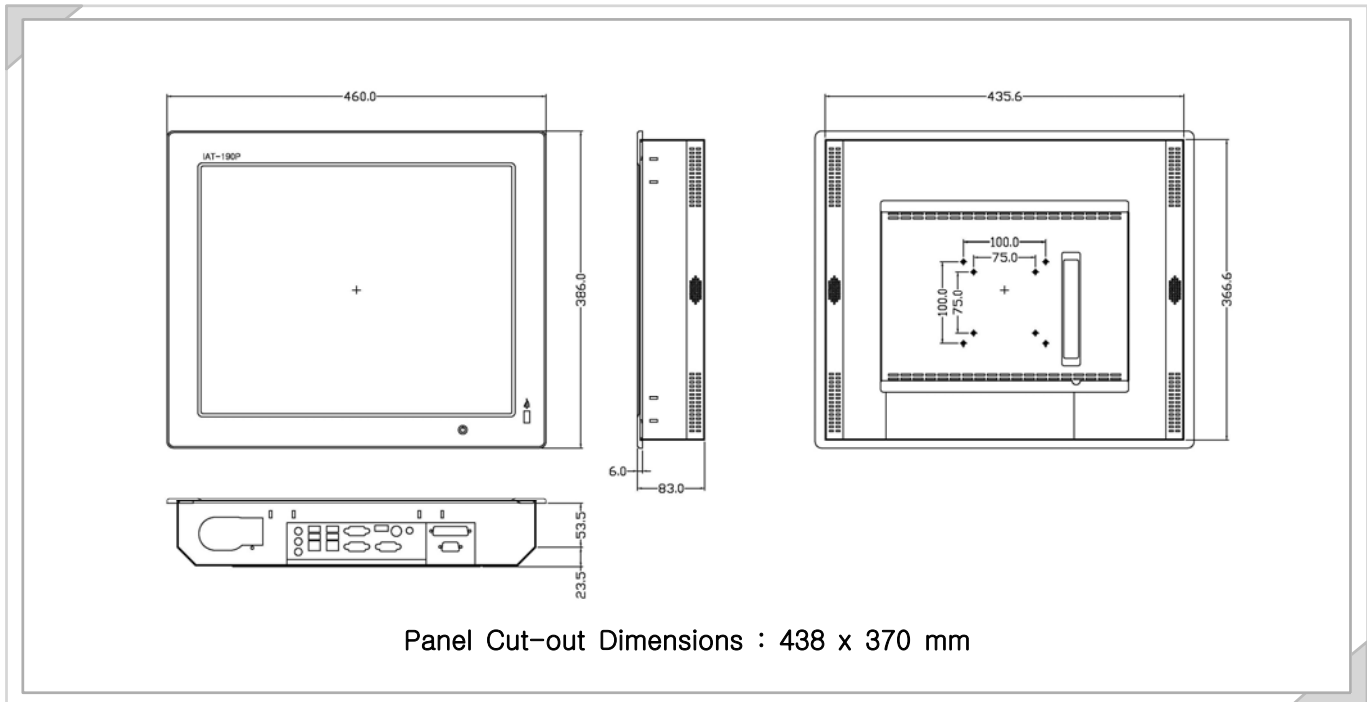
### LCD Display

- **Display Type** SXGA TFT LCD
- **Display Size** 19"
- **Max. Resolution** 1280 x 1024
- **Max. Color** 16.7M
- **Luminance (cd/m<sup>2</sup>)** 350@60mA
- **Backlight Life (hrs)** 30,000
- **Contrast Ratio** 1000:1

### Environment

- **Operation Temperature** 0~50℃
- **Storage Temperature** -20℃~60℃
- **Humidity (Storage)** 8~85% non condensing
- **Vibration** 10~200 Hz, P-P, 1.0 Grms  
30 mins/axis (Non Operating)

## Dimensions



## Ordering Information

- IAT-190P-N 19" Panel PC
- IAT-190P-U 19" Panel PC with Resistive TS
- IAT-EXP-AB Rear add-on box
- IAT-EXP-RC PCI riser card
- IAT-EXP-OD Slim SATA ODD

## Accessories

- IAT-BK-PC Panel Mount Clamp
- IAT-TP-PM Touch Pen
- IAT-PC-15M Power Cable 1.5M

## Fully-Integrated I/O View

● I/O ports vary according to the specifications

